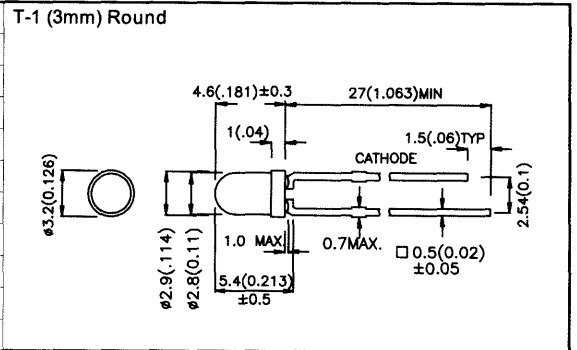
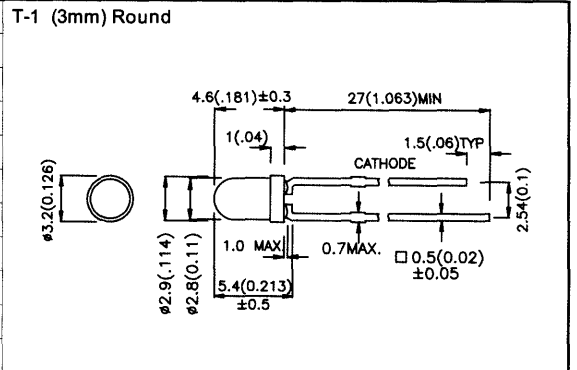


Part No.	Emitting Color + Material	λ D (nm)	Lens Type	Iv (mcd) @20mA		Viewing Angle 2 θ 1/2	Dimension
				Min.	Typ.		

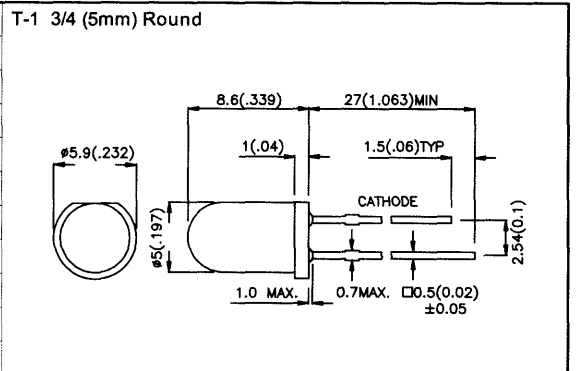
L934MBD	GaN	455	blue diffused	20	50	60°
L934MBT	GaN	455	blue transparent	40	60	20°
L934MBC	GaN	455	water clear	40	80	20°
L934MBDK	GaN	455	blue diffused	8	25	60°
L934MBTK	GaN	455	blue transparent	10	40	20°
L934MBCK	GaN	455	water clear	20	60	20°
L934PBC/E	InGaN	465	water clear	380	650	20°
L934MWC	GaN	-	water clear	50	180	40°
L934PWC	InGaN	-	water clear	200	600	35°



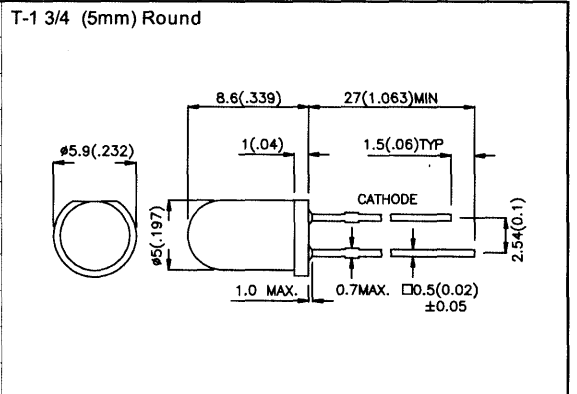
L7104MBDK	GaN	455	blue diffused	8	25	30°
L7104MBTK	GaN	455	blue transparent	10	40	20°
L7104MBCK	GaN	455	water clear	20	60	20°
L7104PBD	InGaN	465	blue diffused	70	200	30°
L7104PBT	InGaN	465	blue transparent	110	250	20°
L7104PBC	InGaN	465	water clear	110	350	20°
L7104PBC/E	InGaN	465	water clear	380	650	20°
L7104MWC	GaN	-	water clear	50	180	34°
L7104PWC	InGaN	-	water clear	200	600	34°



L53MBD	GaN	455	blue diffused	40	60	60°
L53MBT	GaN	455	blue transparent	50	100	16°
L53MBC	GaN	455	water clear	50	150	16°
L53MBDK	GaN	455	blue diffused	12	40	60°
L53MBTK	GaN	455	blue transparent	40	65	16°
L53MBCK	GaN	455	water clear	50	110	16°
L53PBC/E	InGaN	465	water clear	650	1400	30°
L53MWC	GaN	-	water clear	80	200	30°
L54PWC	InGaN	-	water clear	500	1000	20°



L7113MBDK	GaN	455	blue diffused	12	40	20°
L7113MBTK	GaN	455	blue transparent	40	65	16°
L7113MBCK	GaN	455	water clear	55	110	16°
L7113PBD	InGaN	465	blue diffused	70	400	20°
L7113PBT	InGaN	465	blue transparent	300	450	16°
L7113PBC	InGaN	465	water clear	300	1000	16°
L7113PBC/E	InGaN	465	water clear	650	1400	16°
L7113MWC	GaN	-	water clear	80	200	20°
L7114PWC	InGaN	-	water clear	500	1000	20°



NOTES :

- All dimensions are in millimeters (inches)
- Tolerance is $\pm 0.25\text{mm}$ (0.01") unless otherwise noted.